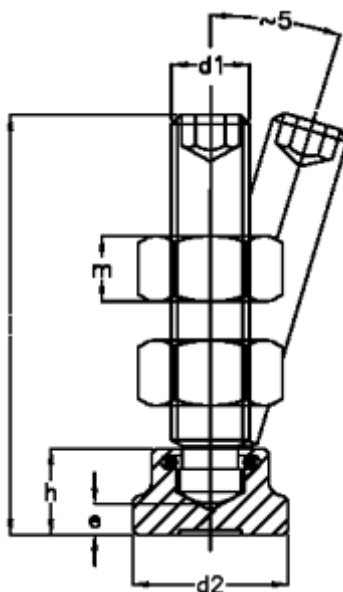


Article number: 20940649

Description: E+G Clamping bolt  
GN 802-M8-48

## Measures

---



d1 = M8

d2 = 16

e = 3

h = 9

l1 = 48

m = 6.8